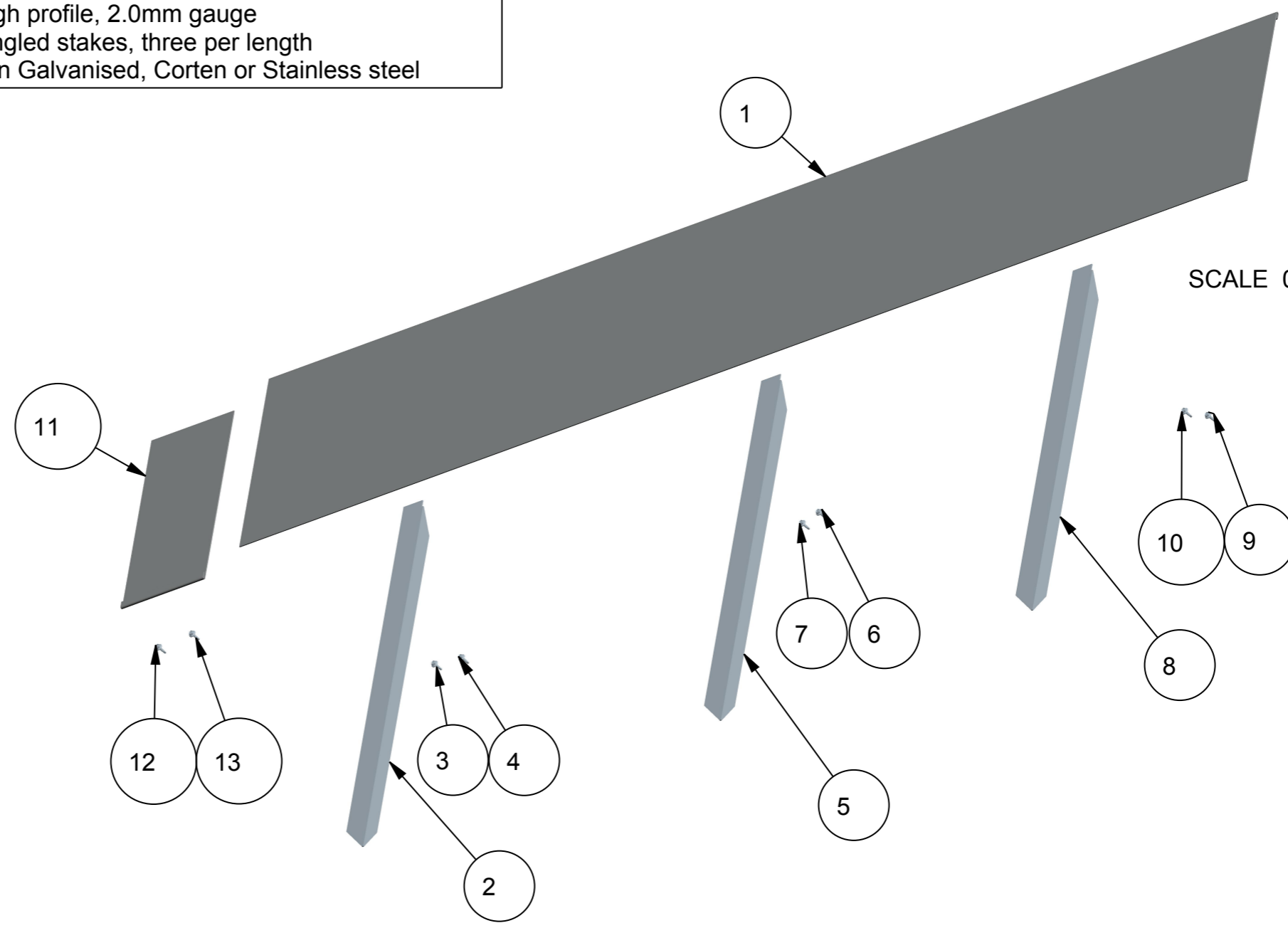
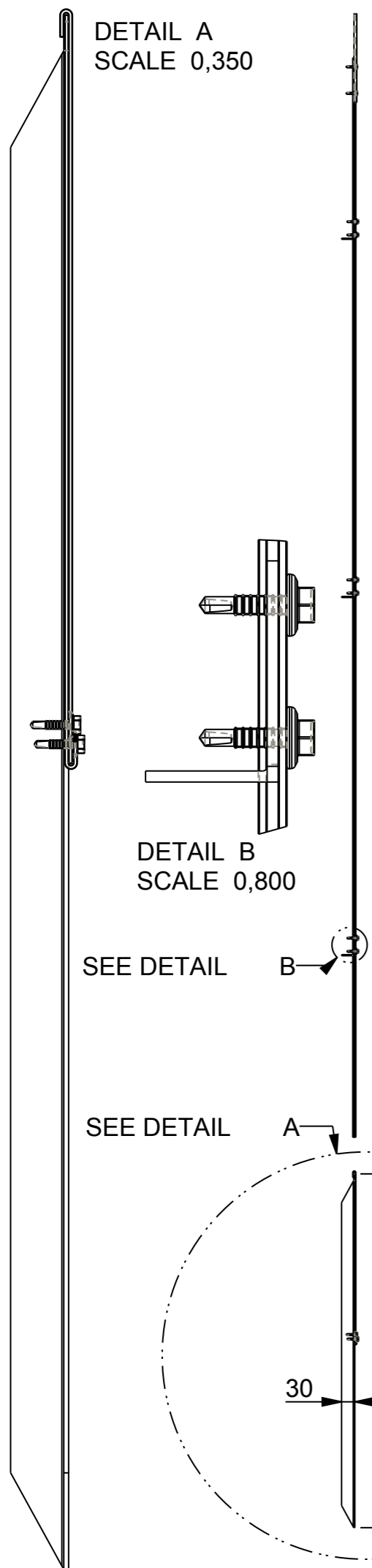
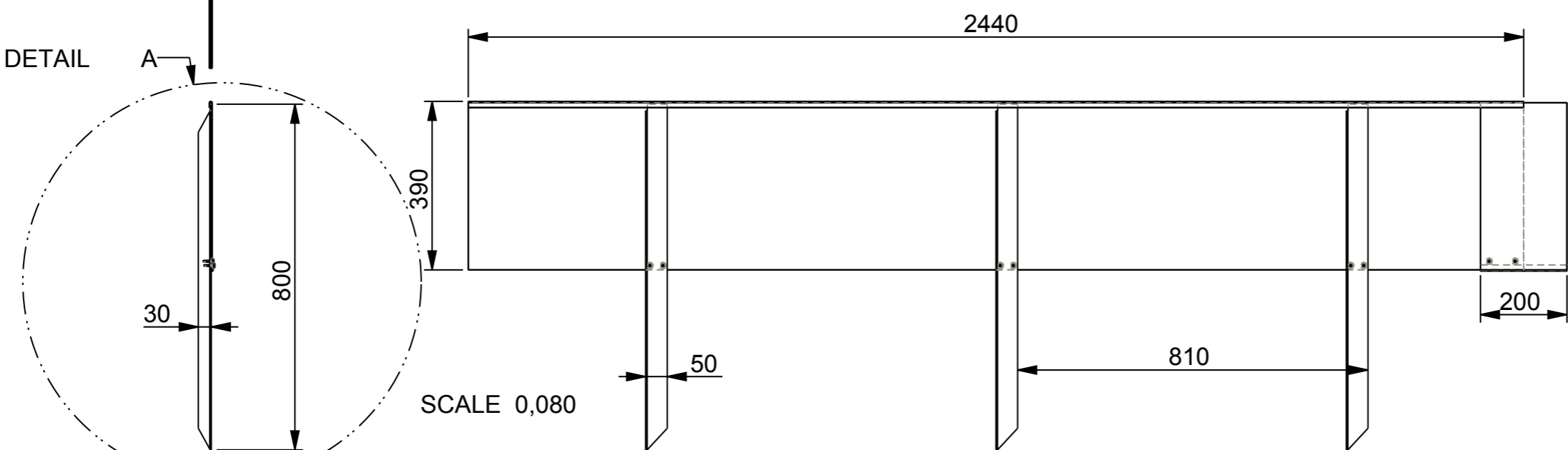


FormBoss Metal Garden Edging
 Standard retaining application:
 390mm high profile, 2.0mm gauge
 800mm Angled stakes, three per length
 Available in Galvanised, Corten or Stainless steel



SCALE 0,100



SCALE 0,080

Index	Product code
1	FBG20390
2	FBAS25800
3	TSG12G
4	TSG12G
5	FBAS25800
6	TSG12G
7	TSG12G
8	FBAS25800
9	TSG12G
10	TSG12G
11	FBC20390
12	TSG12G
13	TSG12G

Edging to be installed with at least 1/3 of the profile height into the ground for support and safety. Screws are self tapping, best installed using an 8mm tech bit, & impact driver. Rivets can be used if needed halfway up the edge, for extra strength. Gloves and safety glasses to be worn when installing.